

BRASS SASH STOP ADJUSTER

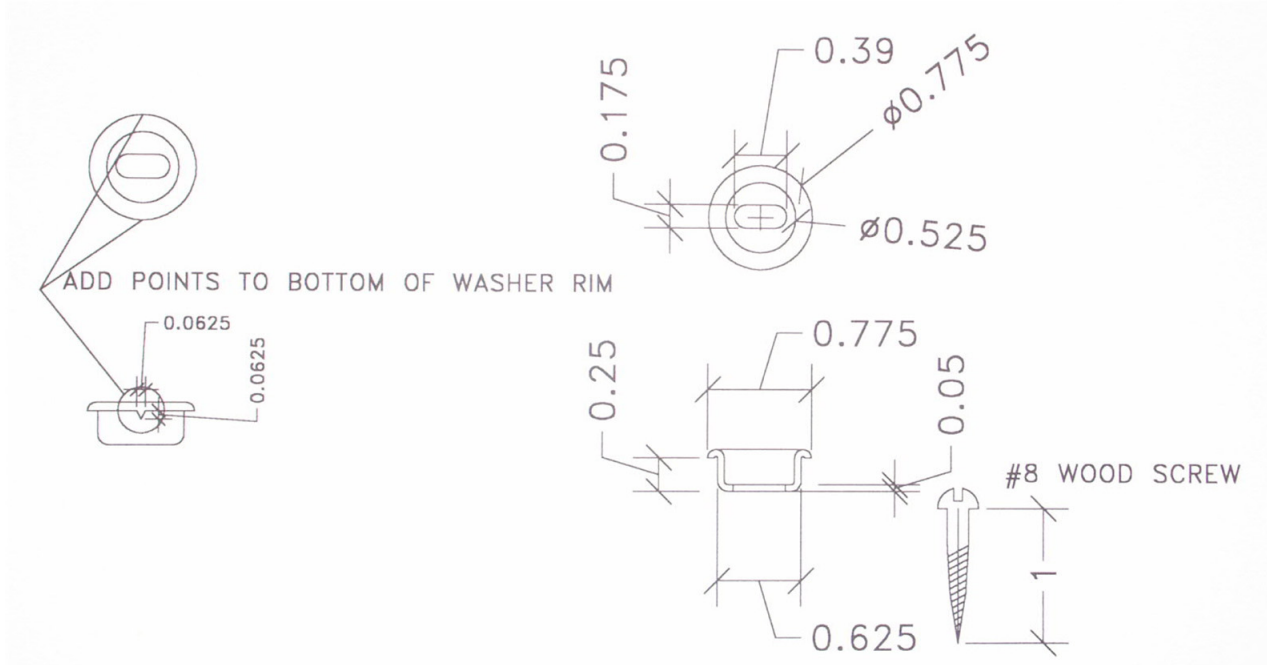


- PART # HSA75-606 SATIN BRASS SASH STOP ADJUSTER (NO LACQUER)
- PART # HSA75-613 BRASS DARK OXIDIZED SASH STOP ADJUSTER (NO LACQUER)
- PART # HSA75-619 NICKEL PLATED SASH STOP ADJUSTER

Sash stop adjuster is stamped from .050" thickness brass. We made them thicker so that the screws will not pull through when installing the sash stop. As an additional benefit they look much more substantial. Philips head screws used for ease of installation.

Supplied with #8 x 1" round head philips screws.

BRASS SASH STOP ADJUSTER



DRAWING NOT TO SCALE

- PART # HSA75 (ALL FINISHES) SASH STOP ADJUSTER

Sash stop adjuster stamped from .050" thickness brass. We made them thicker so that the screws will not pull through when installing the sash stop. As an additional benefit they look much more substantial. Philips head screws for ease of installation.

Supplied with #8 x 1" round head philips screws.